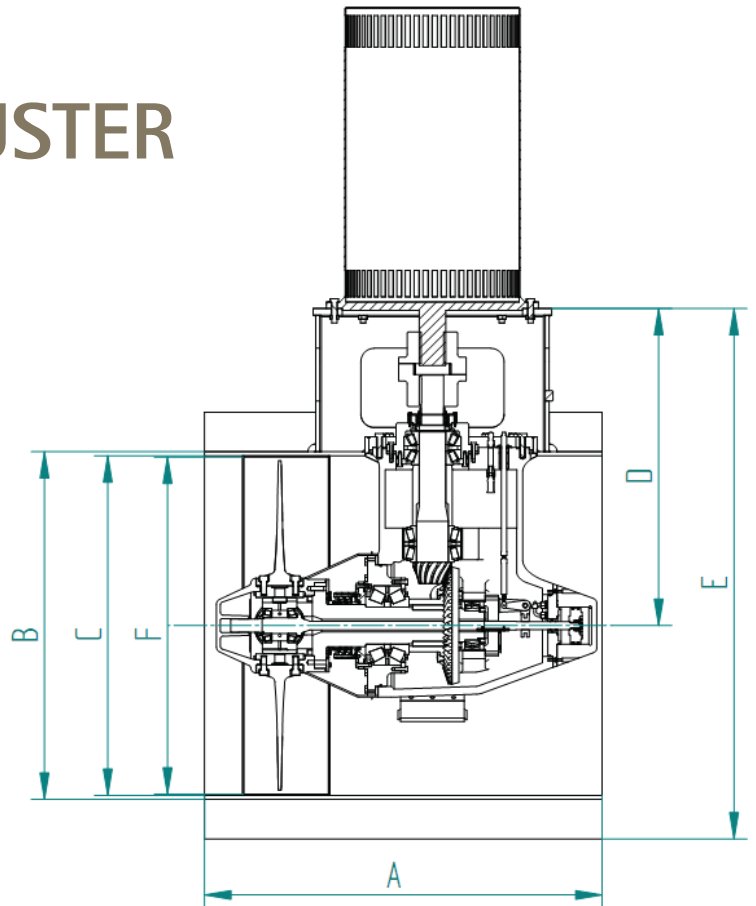


# VERHAAR OMEGA TRANSVERSE THRUSTER OCP/OFP



	OCP / OFP - 400		OCP / OFP - 600		OCP / OFP - 800		
Prop. Diameter	1250mm		1550mm		1800mm		
Input rpm	1485	1780	1485	1780	1485	1170	1780
Frequency Hz	50	60	50	60	50	60	60
Gear ratio z1/z2	14/49	14/49	14/57	14/57	11/51	14/49	11/54
Reduction i	3.50	3.50	4.07	4.07	4.64	3.50	4.90
Output rpm	424	509	365	437	320	334	366
Maximum power kW	↓	↓	↓	↓	↓	↓	↓
AUX	530	630	715	800	1050	1100	1000
CONT.*	460	550	640	730	900	1000	850
Dimension A	1500mm		1900mm		2000mm		
Dimension B	1316mm		1618mm		1880mm		
Dimension C	1286mm		1582mm		1840mm		
Dimension D	1200mm		1439mm		1553mm		
Dimension E	2008mm		2449mm		2693mm		
Dimension F	1276mm		1570mm		1828mm		

\* Duty=24/7, Bearings L10h=40,000 hours, Load factor=100% OCP = Controllable Pitch; OFP = Fixed Pitch

## CHOOSE VERHAAR OMEGA



Verhaar Omega B.V., PO Box 119, 2340 AC Oegstgeest, The Netherlands  
T: + 31 71 517 26 31 E: info@verhaar.com W: www.verhaar.com